



Idler Rolls

Application Information / Request for Quotation

Name:	Company:
Address:	City/State/Zip:
PH:	Email:

LIVE SHAFT IDLER ROLLER SPECIFICATIONS

Operating Temperature:

Quantity of Rolls:

Web Material:

Shell Base Material:

Minimum Web Width:

Shaft Material:

Maximum Web Width:

Roll Face Coating/Covering:

Maximum Line Speed:

Grooving on Roll Face:

Is Drawing Available?:

Bearing Centerline:

Web Tension:

Keyway:

Wrap Angle:

Keyway Width:

Nip Load (magnitude & direction):

Keyway Length:

Maximum Allowable Center Deflection:

Keyway Location:

Straightness (Taper):

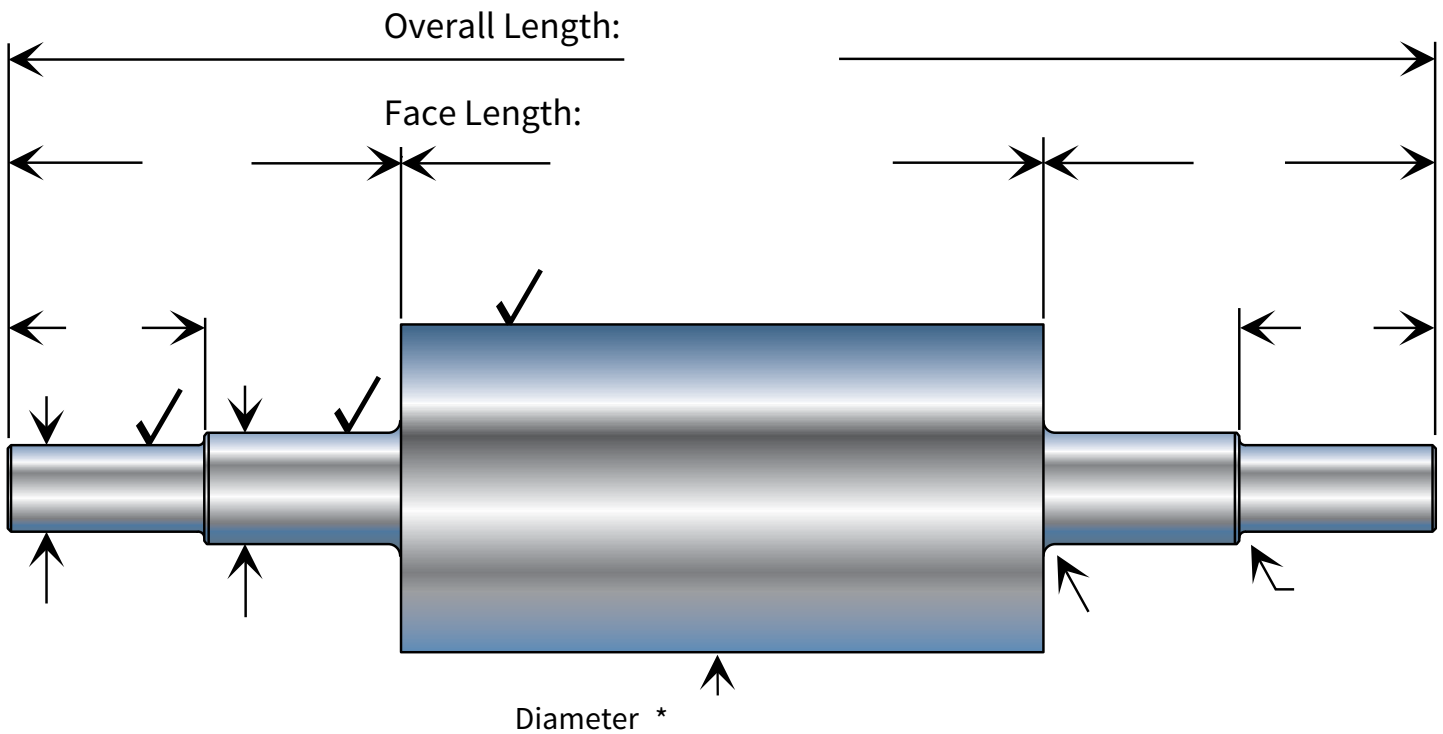
Run-Out:

PLEASE SPECIFY DIMENSIONS ON NEXT PAGE

LIVE SHAFT IDLER ROLLER

A Live shaft roll has journals fixed to the roll body (turns as one unit) the roll rotates on externally mounted bearings (bearings not supplied)

Use this diagram to identify your roll dimensions and any other details important to the design and manufacturing process.



Is the diameter nominal?

*If not nominal diameter, specify tolerance range